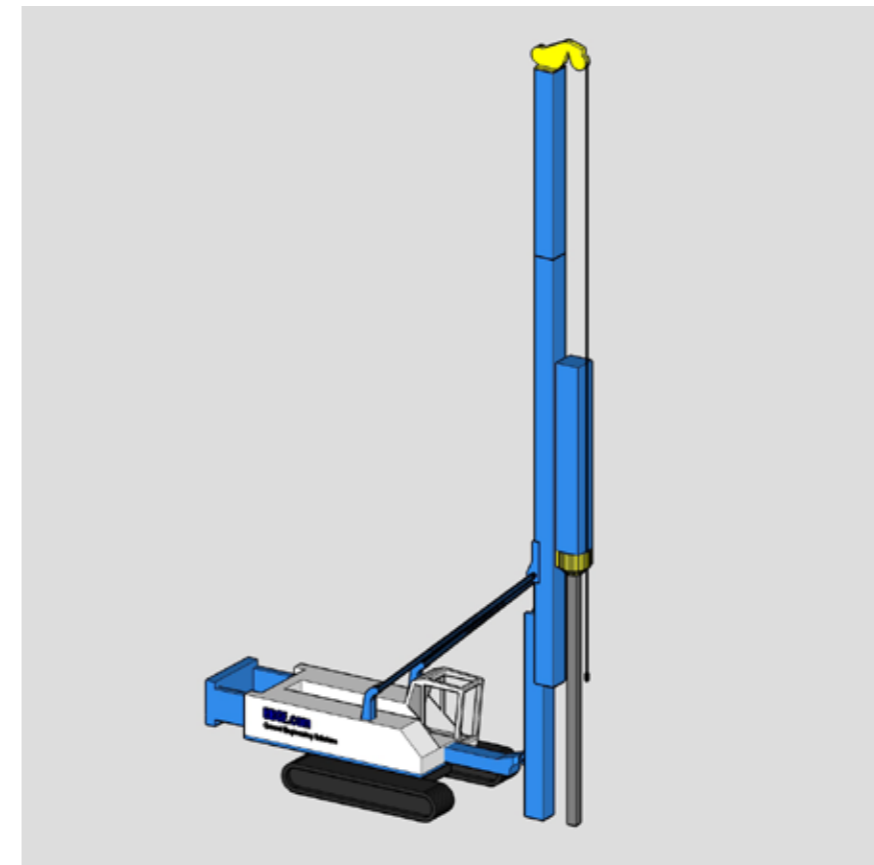


Driven precast piling

Widely used due to their versatility and suitability for most ground conditions, precast concrete piles are particularly well suited to ground where the founding strata is overlain by soft alluvial deposits or made ground.



CAD image of Precast Piling Rig



The technique

Piles are manufactured at our factories in Nottingham and Glasgow and delivered in standard lengths to site. They are then driven into the ground using self-erecting hydraulic piling rigs until the required depth or resistance is reached. The piles can be jointed using either the UNJoint (for compressive loading only) or the Multijoint (mechanical interlocking joint to cater for higher bending moment or shear loads).

Using driven precast concrete piles delivers the following benefits:

- No spoil generated on site
- Fast installation
- Piling is unaffected by ground water
- Construction can follow on immediately
- Cutting piles to size reduces waste
- Suitable for all sizes of projects
- Suitable for simple compressive loads or complex combined loads

Specification	From			To	
Practical Depth	3m			Unlimited (72m longest to date)	
Standard Pile Size	190mm ²	235mm ²	275mm ²	350mm ²	350mm ²
Typical Load Capacity	300kN	500kN	800kN	1200kN	1200kN
	<i>Note: piles are capable of carrying loads up to 25% more in optimum conditions</i>				
Pile Segment Length	4m			15m (1m increments)	
Noise Profile at 10m	77-85db (rear of rig)			85-90db (front of rig)	
Rig Height	12m			24m	
Rig Weight	36,000kg			67,000kg	
Rig Length	6.1m			9m	
Rig Width	3m			4.7m	